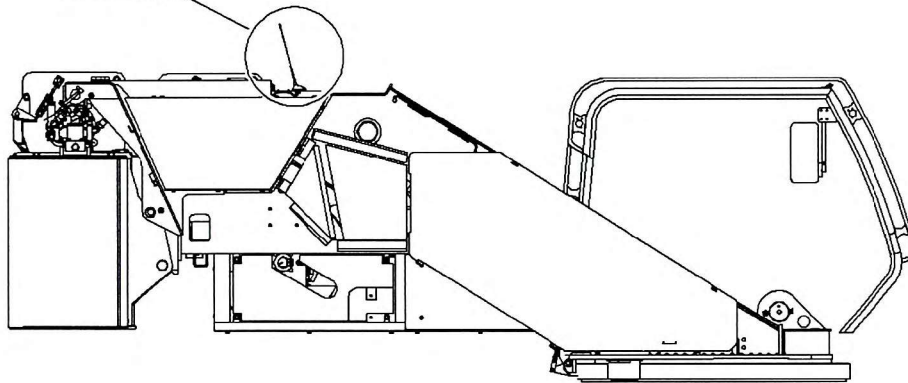
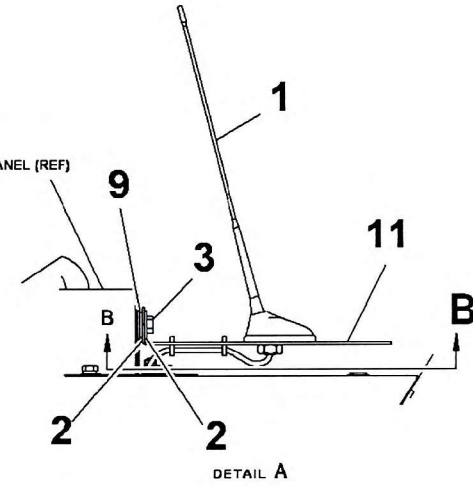


SATELLITE ANTENNA TO TCU. ROUTE WITH EXISTING HARNESSES USING CABLE TIES (ITEM #4) AS NEEDED.

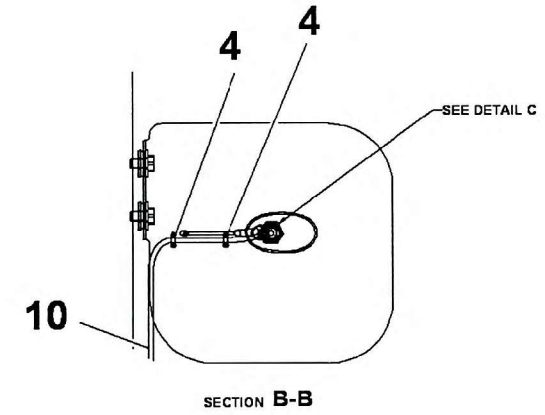
SEE DETAIL A



CE PANEL (REF)



DETAIL A



SECTION B-B